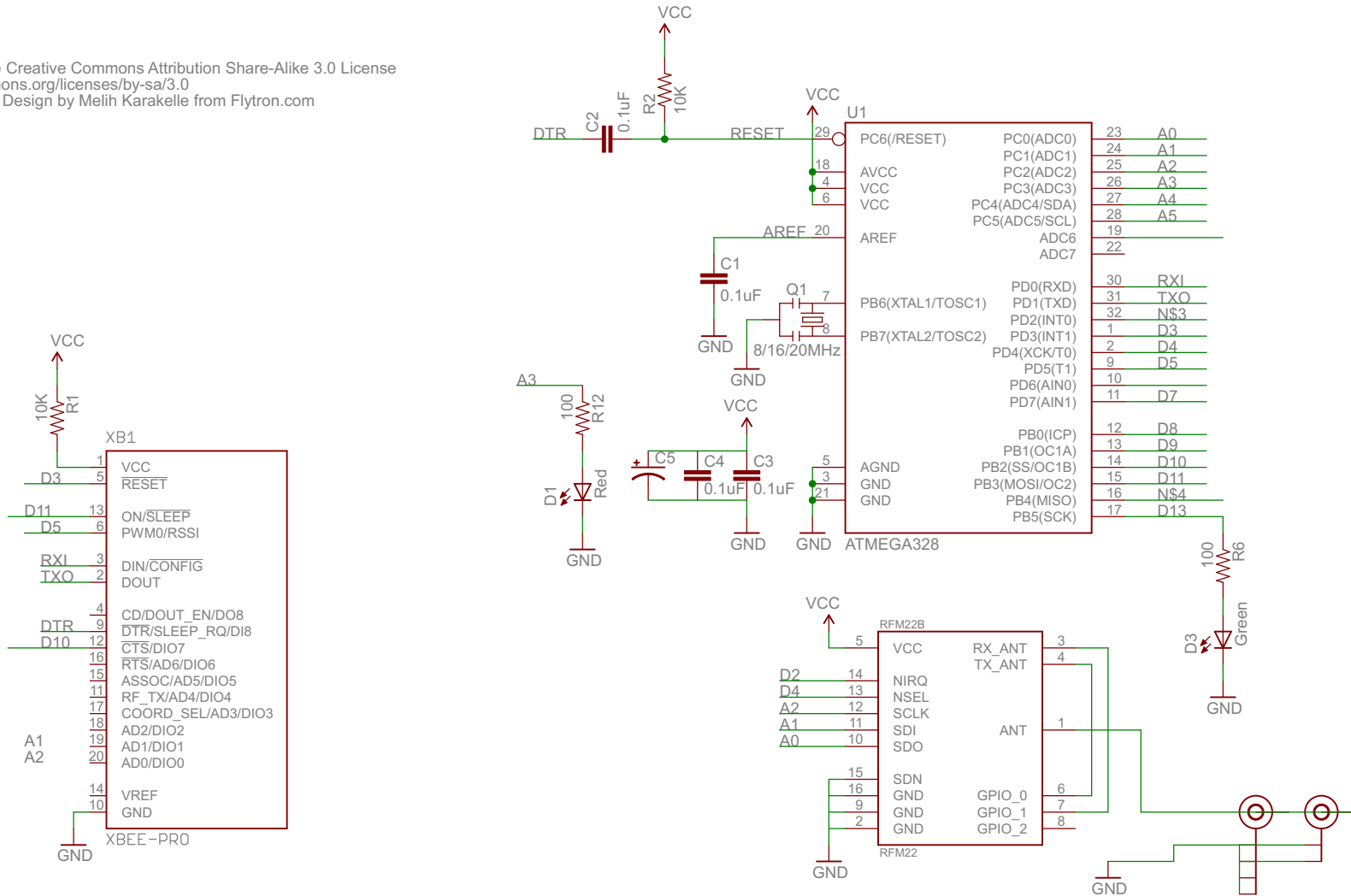


Released under the Creative Commons Attribution Share-Alike 3.0 License
<http://creativecommons.org/licenses/by-sa/3.0>
 OpenBee v1 Board Design by Melih Karakelle from Flytron.com



<h1>FLYTRON</h1>		⊗ ⊗
TITLE: OpenBee_v1		
Document Number:		REV:
Date: 17.10.2012 15:29:10		Sheet: 1/1